

CE-D03-03-9550-14 Spare parts list

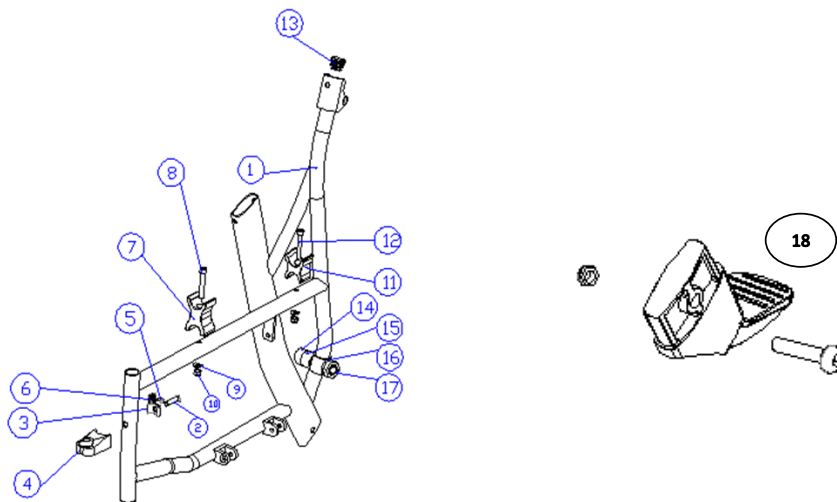


Identification number: TCF-VOMNL-9950-14
 Product group: Manual wheelchair
 Productname: Excel 9.9 12" Zelfvoortbeweger
 Batchnumber: From 6395

Complete



Side frame



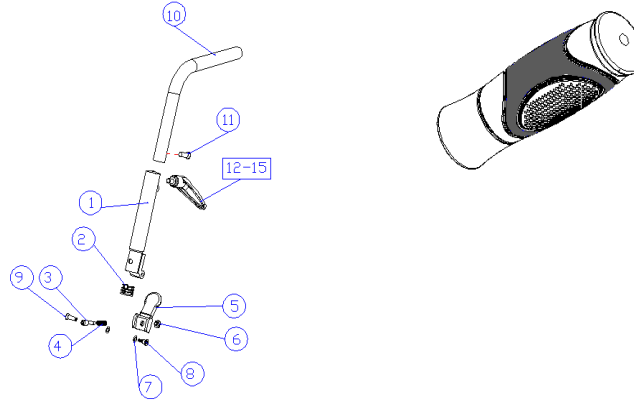
Drawing No.	Item No.	Description	Purchase Price
1 t/m 17	LT277-4L-PW60	Frame assembly LEFT Tuscan Red	€ 128,00
1 t/m 17	LT277-4L-PW59	Frame assembly LEFT Dark Blue	€ 128,00
1 t/m 17	LT277-4L-PW58	Frame assembly LEFT Gun Metal Grey	€ 128,00
1 t/m 17	LT277-4R-PW60	Frame assembly RIGHT Tuscan Red	€ 128,00
1 t/m 17	LT277-4R-PW59	Frame assembly RIGHT Dark Blue	€ 128,00
1 t/m 17	LT277-4R-PW58	Frame assembly RIGHT Gun Metal Grey	€ 128,00
1	-	Not available as spare part	-
2 t/m 6	AI70-AA005-1	Aluminium bracket	€ 27,48
7 t/m 10		Fixing bracket of cross tube	€ 5,20
(11 & 12)	AI70-AA005-2		€ 5,20
13 t/m 17	-	Not available as spare part	-
18	AI70-AA005-2L	Stepper, LEFT	€ 6,00
18	AI70-AA005-2R	Stepper, RIGHT	€ 6,00

CE-D03-03-9550-14 Spare parts list



Identification number: TCF-VOMNL-9950-14
 Product group: Manual wheelchair
 Productname: Excel 9.9 12" Zelfvoortbeweger
 Batchnumber: From 6395

Push handle



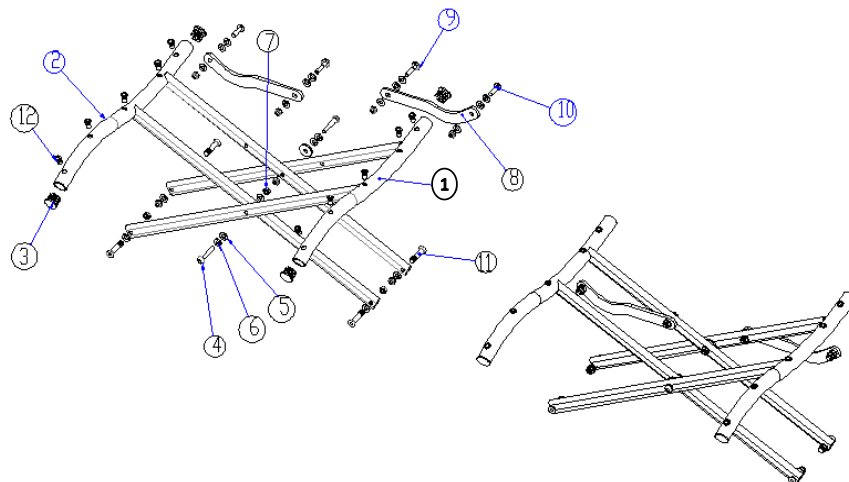
Drawing No.	Item No.	Description	Purchase Price
1	LT289-PW60	Push handle, Tuscan Red	€ 31,20
1	LT289-PW59	Push handle, Dark Blue	€ 31,20
1	LT289-PW58	Push handle, Gun Metal Grey	€ 31,20
2	-	Not available as spare part	-
3 t/m 9	AI70-AA005-3	Lever of folding mechanism	€ 5,32
10	LT291-AZ03	Push handle tube	€ 31,20
11	-	Not available as spare part	-
12 t/m 15	AI70-AA005-4	Lever of quick release	€ 7,48
-	AT439	Hand grip, double colour	€ 8,80

CE-D03-03-9550-14 Spare parts list



Identification number: TCF-VOMNL-9950-14
 Product group: Manual wheelchair
 Productname: Excel 9.9 12" Zelfvoortbeweger
 Batchnumber: From 6395

Cross frame



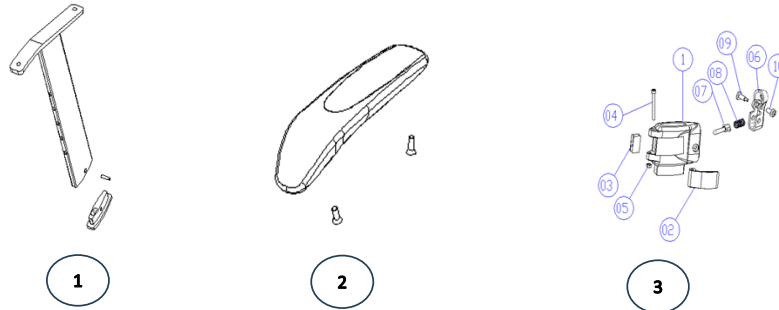
Drawing No.	Item No.	Description	Purchase Price
1 t/m 12	AI70-BA001-PW60	Cross frame assembly 18" Tuscan Red	€ 72,00
1 t/m 12	AI70-BA001-PW59	Cross frame assembly 18" Dark Blue	€ 72,00
1 t/m 12	AI70-BA001-PW58	Cross frame assembly 18" Gun Metal Grey	€ 72,00
1	BA01-135-L-PW60	Cross bar 18", Tuscan Red, LEFT	€ 27,48
1	BA01-135-L-PW59	Cross bar 18", Dark Blue, LEFT	€ 27,48
1	BA01-135-L-PW58	Cross bar 18", Gun Metal Grey, LEFT	€ 27,48
2	BA01-135-R-PW60	Cross bar 18", Tuscan Red, RIGHT	€ 27,48
2	BA01-135-R-PW59	Cross bar 18", Dark Blue, RIGHT	€ 27,48
2	BA01-135-R-PW58	Cross bar 18", Gun Metal Grey, RIGHT	€ 27,48
3	CW072-4B	Tube plug (set of 4)	€ 1,20
8 t/m 12	-	Not available as spare part	-

CE-D03-03-9550-14 Spare parts list



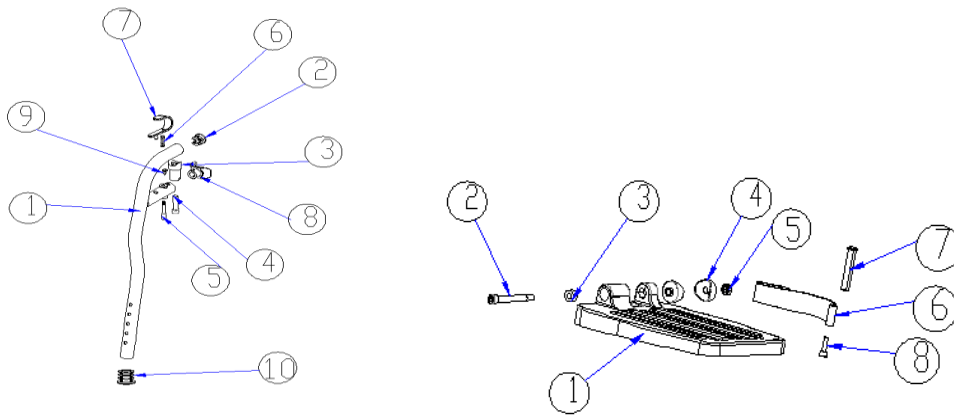
Identification number: TCF-VOMNL-9950-14
 Product group: Manual wheelchair
 Productname: Excel 9.9 12" Zelfvoortbeweger
 Batchnumber: From 6395

Armrest



Drawing No.	Item No.	Description	Purchase Price
1	AR26-60-1L	Armrest tube, LEFT	€ 19,20
1	AR26-60-1R	Armrest tube, RIGHT	€ 19,20
2	AR26-60-2L	Armrest pad, LEFT	€ 11,20
2	AR26-60-2R	Armrest pad, RIGHT	€ 11,20
3 (1 t/m 10)	AR26-60-3L	Bracket of push handle, LEFT	€ 11,20
3 (1 t/m 10)	AR26-60-3R	Bracket of push handle, RIGHT	€ 11,20

Legrest



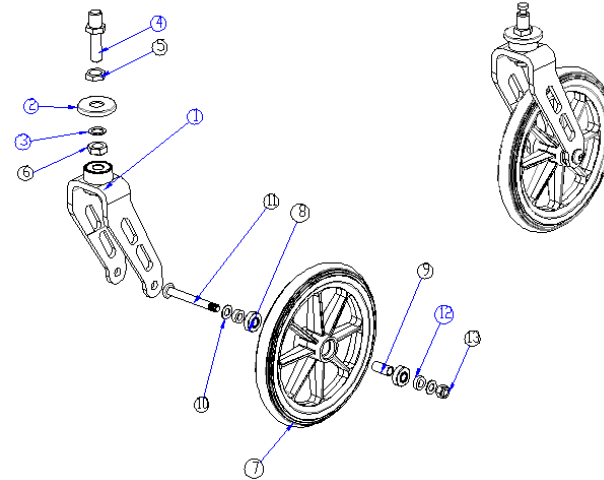
Drawing No.	Item No.	Description	Purchase Price
1 t/m 10	AT820-1L-PW60	Legrest tube LEFT, Tuscan Red	€ 64,00
1 t/m 10	AT820-1L-PW59	Legrest tube LEFT, Dark Blue	€ 64,00
1 t/m 10	AT820-1L-PW58	Legrest tube LEFT, Gun Metal Grey	€ 64,00
1 t/m 10	AT820-1R-PW60	Legrest tube RIGHT, Tuscan Red	€ 64,00
1 t/m 10	AT820-1R-PW59	Legrest tube RIGHT, Dark Blue	€ 64,00
1 t/m 10	AT820-1R-PW58	Legrest tube RIGHT, Gun Metal Grey	€ 64,00
1 t/m 8	FR10-4L	Footplate, LEFT	€ 16,80
1 t/m 8	FR10-4R	Footplate, RIGHT	€ 16,80
2 t/m 5	FR36-3-1	Footplate mounting set	€ 7,48
6 t/m 8	FR36-3-2	Heelstrap with mounting set	€ 3,78

CE-D03-03-9550-14 Spare parts list



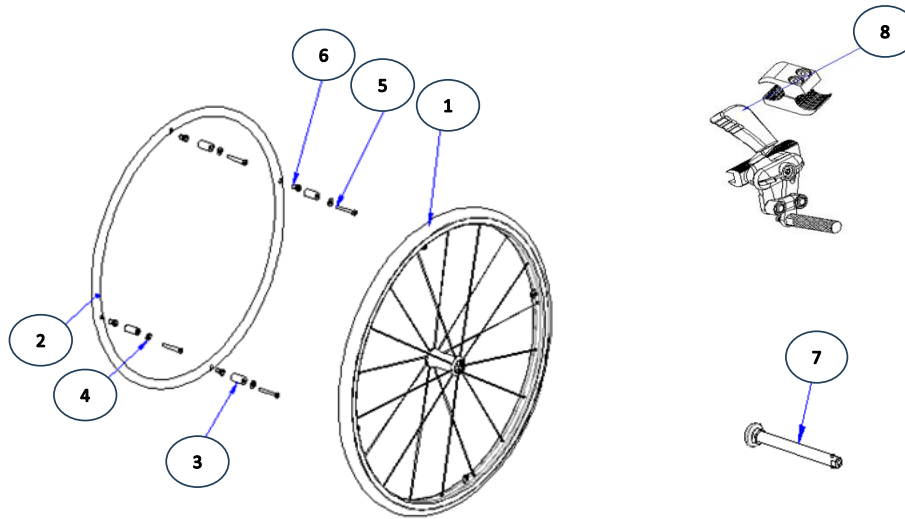
Identification number: TCF-VOMNL-9950-14
 Product group: Manual wheelchair
 Productname: Excel 9.9 12" Zelfvoortbeweger
 Batchnumber: From 6395

Front wheel



Drawing No.	Item No.	Description	Purchase Price
1 t/m 6	FPU8-163-1	Front fork assembly	€ 27,20
1	GB06-008-PW04	Front fork	€ 24,72
7 t/m 13	FPU8-163-2	8" Front wheel assembly	€ 24,80
7	RH01-019	8" PU front wheel	€ 21,16
8 t/m 11	FPU8-163-11	Bearing set for front wheel	€ 8,92

Rear wheel



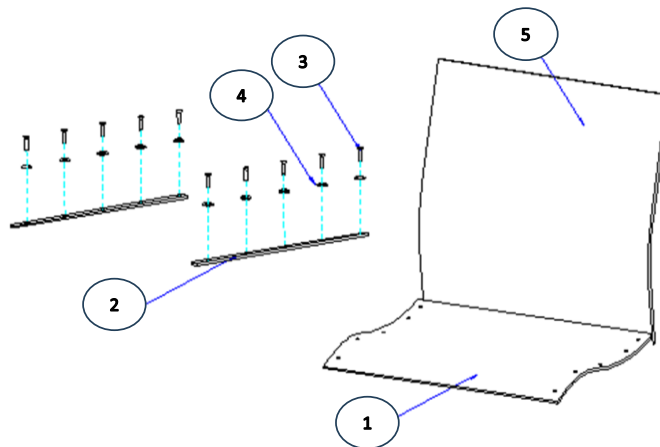
Drawing No.	Item No.	Description	Purchase Price
1 t/m 6	W22S-CQ02-1	22 "Rear wheel assy	€ 120,00
7	W22S-CQ02-2	Quick release pin	€ 16,00
8	BK16-43-L	Brake assembly LEFT	€ 28,80
8	BK16-43-R	Brake assembly RIGHT	€ 28,80

CE-D03-03-9550-14 Spare parts list



Identification number: TCF-VOMNL-9950-14
 Product group: Manual wheelchair
 Productname: Excel 9.9 12" Zelfvoortbeweger
 Batchnumber: From 6395

Seat upholstery



Drawing No.	Item No.	Description	Purchase Price
1 t/m 4	AI70-K001-1	Seat canvas with mounting set	€ 48,00
1	DCA01-001-N	Seat canvas black nylon	€ 36,00
2 t/m 4	AI70-K001-11	Mounting set for seat canvas	€ 23,48
5	AI70-K001-2	Back Canvas	€ 52,00